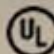


CAL PIPE SECURITY BOLLARDS®

RETRACTABLE
SECURITY
BOLLARDS

For the Protection
of People & Property
from vehicle incursion
and impact

Cal Pipe
manufacturing

 UL Listed

Copyright © 2000-05
Cal Conduit Products
All rights reserved.

RETRACTABLES



Cal Pipe Security Bollards®

CAL PIPE RETRACTABLE BOLLARDS

Cal Pipe's Retractable Security Bollards are one part of a comprehensive product line for the protection of people and property. We also offer:

Fixed Security Bollards

- Embedded
- Base Plate

Removable Security Bollards

- Internal Locking System
- External Locking System

Fixed Security Bollards

Special Purpose Bollards

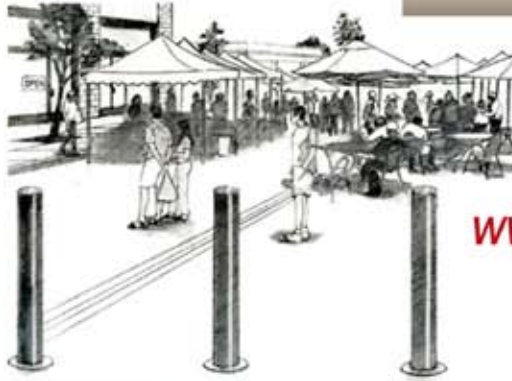
- Camera Bollards
- Utility Bollards
- Sensor Bollards

For more information on our complete bollard line, email us at:

INFO@CALPIPEBOLLARDS.COM

or call us at:

877-283-8518.



RETRACTABLE SECURITY BOLLARD APPLICATIONS:

High Security

- Government & Public buildings
- Stadiums & Arenas
- Military & Police installations
- Utility and Infrastructure

Vehicle Access Control

- Street Fairs, Markets & Special Events
- Pedestrian areas & parks
- Corporate campuses
- Malls & Retail Centers
- Busways and Railways

Visit us on the Web

WWW.CALPIPEBOLLARDS.COM

MANUALLY-ASSISTED LIFTING BOLLARD

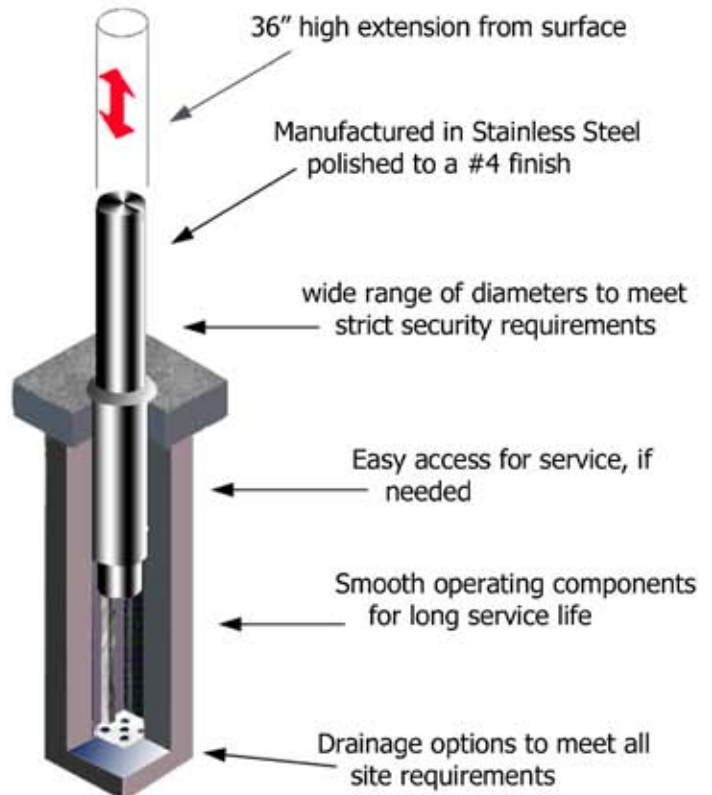
Cal Pipe Security Bollards' Manually Assisted lift bollard allows the use of a stronger, heavier bollard for higher security applications that can still be easily retracted when vehicle access is required. With the twist of a security key, the bollard will rise from the ground with virtually no lifting or effort and lock into place. A turn of the security key in the extended bollard top and slight downward pressure will lower the bollard to lock into its retracted position.

BENEFITS:

- Retracts flush to grade
- Reduced maintenance schedules
- No lifting force required to raise to full height

APPLICATIONS:

- Perfect for Street Fairs, Farmer's Markets or other installations where occasional use of a security bollard is needed.
- Pedestrian & Bike Paths
- Security entrances & exits of all kinds



Cal Pipe Security Bollards®

AUTO-PNEUMATIC LIFTING BOLLARD

For any level of security where a retractable bollard is specified, Cal Pipe's Auto-Pneumatic models will answer the need. Retractable bollards are especially important where a heavy-duty, high-security bollard is required in an access way needed for vehicles. Manually-assisted bollards are appropriate for occasional vehicle access while auto-pneumatic bollards are best for locations where continued and speedy vehicle access is important.

These bollards can be completely extended or retracted in seconds. They are built to withstand constant or occasional use in all weather conditions.

These retractable bollards can be ganged together for multi-bollard operation or they can be operated individually. They are driven by dry-air compressors featuring standard components and proven engineered systems.

AUTO-PNEUMATIC BOLLARD FEATURES:

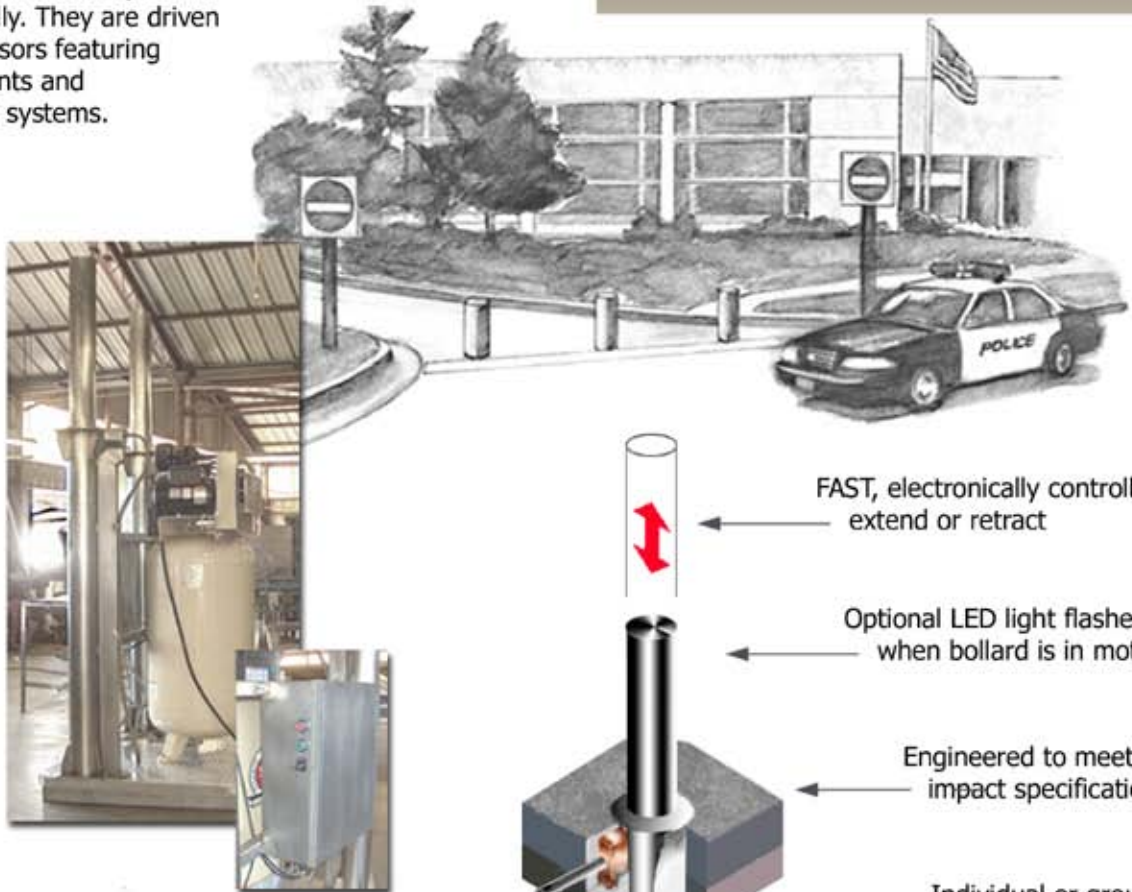
Rated for high use installations!

Integrates into current building controls or operates as stand-alone system

Push button, card swipe or remotely controlled

Optional and programmable access control and security features

Uses your existing air supply if available



MEETS ALL INDUSTRY STANDARDS

It's not only important to have the high security bollard that your requirement calls for but that its use is practical and can be operated to meet OSHA standards. You can count on well-designed and engineered retractable bollards from Cal Pipe that meet all industry standards.

Cal Pipe Security Bollards®



Manually-Assisted Lifting Bollard Models

Model	Diameter	Length	Above	Sleeve	Material	Finish
LBMA6000	6	54	36	18	SS	#4
LBMA6080	6	54	36	18	SS	#4
LBMA8000	8	54	36	18	SS	#4
LBMA8080	8	54	36	18	SS	#4
LBMA12000	12	54	36	18	SS	#4
LBMA12080	12	54	36	18	SS	#4

Auto-Pneumatic Lifting Bollard Models

Model	Diameter	Length	Above	Sleeve	Material	Finish
LBPA6000	6	54	36	18	SS	#4
LBPA6080	6	54	36	18	SS	#4
LBPA8000	8	54	36	18	SS	#4
LBPA8080	8	54	36	18	SS	#4
LBPA12000	12	54	36	18	SS	#4
LBPA12080	12	54	36	18	SS	#4

877-283-8518

CAL PIPE RETRACTABLE BOLLARDS

**SAFETY AND SECURITY TO THE HIGHEST STANDARDS!
WITH
THE EASE OF OPERATION TO MAKE IT PRACTICAL!**

3 manufacturing and shipping locations with 22 nation-wide Agencies to serve you!



HAMMOND, IN
2207 165th Street
Hammond, IN 46320



DOWNEY, CA
Corporate Headquarters
9650 Washburn Road 90241
877-283-8518
Fax: 562-803-0803



LOS ANGELES, CA
515 E. 88th Place
Los Angeles, CA 90003